

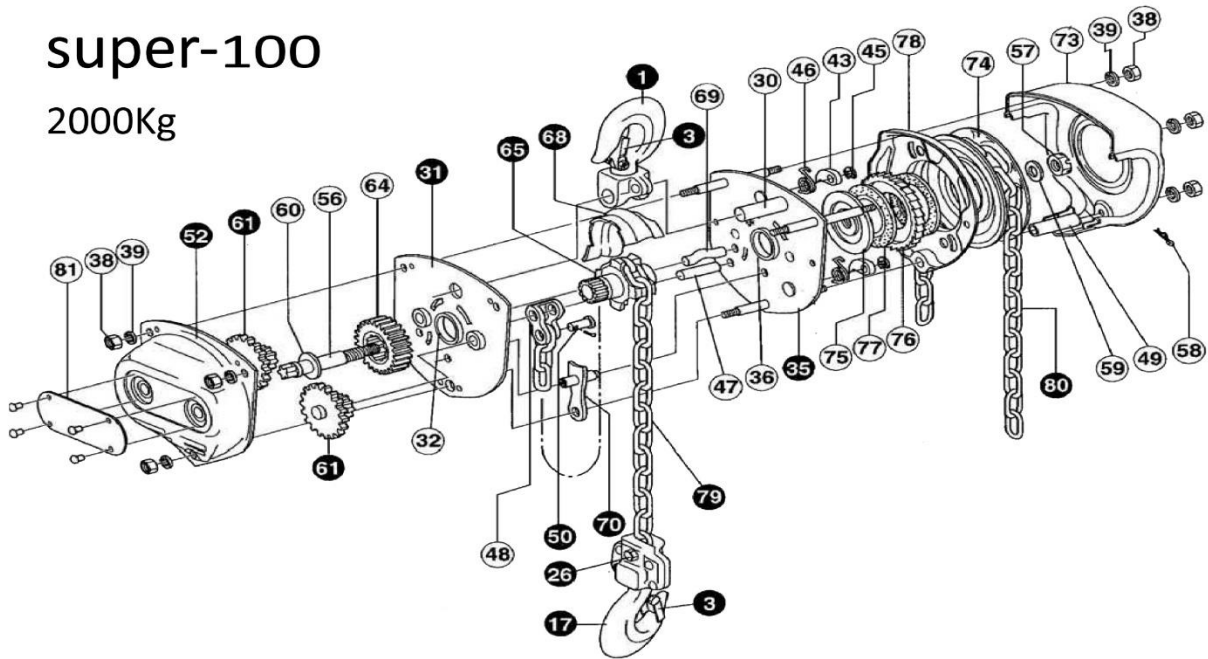


HOISTING & LIFTING

Work made easy.

super-100

2000Kg



ART.No	DESC.	POS
4304001	S100 2T 1/100 TOP HOOK ASS'Y	1
4304616	S100 2T 3/615 SAFETY LATCH [NEW]	3
4304015	S100 2T 17/600 BOTTOM HOOK ASS'Y	17
4304604	S100 2T 26/604 CHAIN STOP PIN ASS'Y	26
4304105	S100 2T 30/105 TOP HOOK PIN	30
4304002	S100 2T 31/200 GEAR SIDE PLATE ASS'Y	31
4304411	S100 2T 32/411 LOAD BEARING	32
4304003	S100 2T 35/220 WHEEL SIDE PLATE ASS'Y	35
4304205	S100 2T 38/206 GEAR COVER NUT	38
4304206	S100 2T 39/207 SPRING WASHER	39
4304510	S100 2T 43/510 PAWL	43
4304512	S100 2T 46/512 PAWL SPRING [DOUBLE]	46
4304221	S100 2T 47/221 ANCHOR PLATE PIN	47
4304225	S100 2T 48/225 ANCHOR PLATE	48
4304226	S100 2T 50/226 CHAIN STOP PIN ASS'Y	50
4304023	S100 2T 52/335 GEAR CASE ASS'Y	52
4304301	S100 2T 56/301 PINION SHAFT	56
4304308	S100 2T 57/308 CASTLE NUT	57
4304312	S100 2T 58/312 CASTLE NUT PIN	58
4304508	S100 2T 59/508 CHECK WASHER	59
4304302	S100 2T 60/302 PINION SHAFT WASHER	60
4304024	S100 2T 61/315 2nd & 3rd GEAR ASS'Y	61
4304305	S100 2T 64/305 LOAD GEAR	64
4304007	S100 2T 65/401 LOAD SHEAVE	65
4304405	S100 2T 68A/415 CHAIN GUIDE ASS'Y	68
4304433	S100 2T 69/418 CHAIN GUIDE PIN	69
4304027	S100 2T 70/439 CHAIN STRIPPER ASS'Y	70
4304218	S100 2T 73/218 HAND WHEEL COVER	73
4304501	S100 2T 74/501 HAND CHAIN WHEEL	74
4304505	S100 2T 75/505 DISC HUB	75
4304506	S100 2T 76/506 RATCHET WHEEL	76
4304507	S100 2T 77/507 FRICTION DISC [PAIR]	77
4304513	S100 2T 78/513 BRAKE COVER	78